

3-Phase Voltage Monitor

Model 201-XXX-DPDT



Features:

- Low voltage protection
- Single-phase protection
- Reverse-phase protection
- Voltage unbalance protection
- Two isolated Form C relays (DPDT)
- Diagnostic LED
- UL508 Listed
- CE Marked
- 11-pin plug in; DIN rail or surface mount
- 5-year warranty
- Made in the USA

The 201-XXX-DPDT is an 11-pin octal base plug-in voltage monitor designed to protect 3-phase motors regardless of size. The 201-100-DPDT is used on 95-120VAC, 50/60Hz motors and the 201-200-DPDT is used on 190-240VAC, 50/60Hz motors to prevent damage caused by incoming voltage problems. The units feature two isolated sets of contacts that are ideal for use with two control circuits with different voltages.

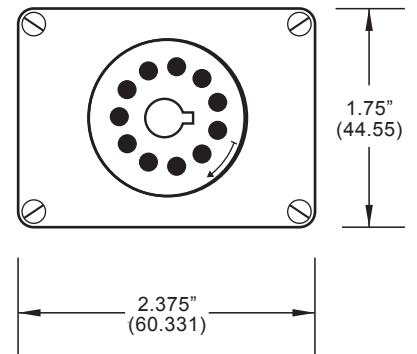
The unique microcontroller-based voltage and phase-sensing circuit constantly monitors the voltages to detect harmful power line conditions. When a harmful condition is detected, the MotorSaver's output relays are deactivated after a specified trip delay. The output relays reactivate after power line conditions return to an acceptable level and a specified amount of time has elapsed (restart delay). The trip delay prevents nuisance tripping due to rapidly fluctuating power line conditions.

This unit is also available with a shorter trip delay and faster restart delay. The 201-XXX-DPDT-60mS has a trip delay of 0.5 seconds and a restart delay of 60 milliseconds. See the specification table for details.

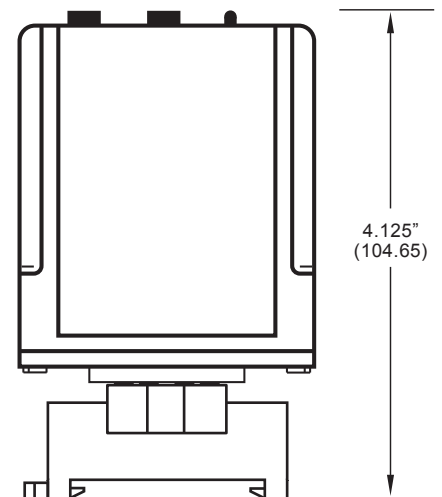
Specifications

Functional Characteristics	
Adjustments/Settings	
Low Voltage (% of setpoint)	
Trip	90% ±1%
Reset	93% ±1%
Voltage Unbalance	
Trip	6%
Reset	4.5%
Trip Delay Times	
Low voltage	4 seconds
Unbalanced voltage and single-phasing faults (>15%UB)	2 seconds
Models with -60mS option	0.5 second
Restart Delay Times	
After a fault	2 seconds
After a complete power loss	2 seconds
Models with -60mS option	60 milliseconds
Input Characteristics	
Supply Voltage	
201-100-DPDT	95-120VAC
201-200-DPDT	190-240VAC
Frequency	50/60 Hz (note: 50Hz will increase all delay timers by 20%)
Output Characteristics	
Output Contact Rating - DPDT	
Pilot Duty	480VA @ 240VAC
General Purpose	10A @ 240VAC
General Characteristics	
Operating Temperature (Surrounding Air)	-40° to 70° C (-40° to 158° F)
Maximum Input Power	5 W
Relative Humidity	10-95%, non-condensing per IEC 68-2-3
Terminal Torque	12 in.-lbs.
Wire Gauge	12-22 AWG Solid or stranded
Standards Passed	
Electrostatic Discharge (ESD)	IEC 61000-4-2, Level 3, 6kV contact, 8kV air
Models with -60mS option	IEC 61000-4-2, 3kV contact, 6kV air
Radio Frequency Immunity (RFI), Radiated	150MHz, 10V/m
Fast Transient Burst	IEC 61000-4-4, Level 3, 3.5 kV input power and controls
Models with -60mS option	IEC 61000-4-4, Level 3, 2.5kV input power and controls
Surge Immunity	
IEC	IEC 61000-4-5, Level 3, 4kV line-to-line; Level 4, 4kV line-to-ground
ANSI/IEEE	C62.41 Surge and Ring Wave Compliance to a level of 6kV line-to-line
Hi-potential Test	Meets UL508 (2 x rated V + 1000V for 1 minute)
Safety Marks	
UL listed (OT11 octal socket required)	UL508 (File #E68520)
CE	IEC 60947-6-2
Dimensions	2.330"H x 2.375"W x 4.125"D (with socket)
Weight	1.2 lbs.
Mounting Method	Plugs into 11-Pin OT11 Socket (DIN rail or surface mount)

Enclosure Dimensions



BOTTOM



SIDE WITH OT11* SOCKET

How to order:

Part Number: 201-100-DPDT
 201-200-DPDT
 201-100-DPDT-60mS
 201-200-DPDT-60mS

Auxiliary Products:
 OT11-PC (11-pin octal socket)



(605) 348.5580 / (800) 843.8848 / Fax (605) 348.5685
 customerservice@symcom.com / technicalsupport@symcom.com